



Connection
S Y S T E M S



Conical Flexiduct®

Data Sheet



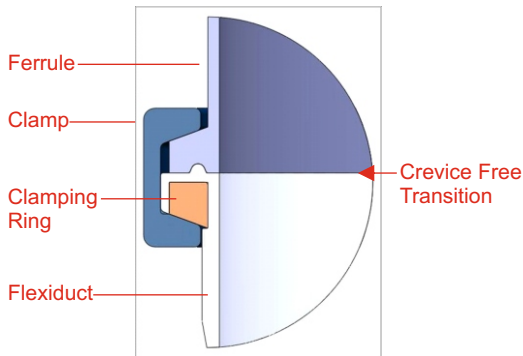


Fig. 1 Quick release clamp

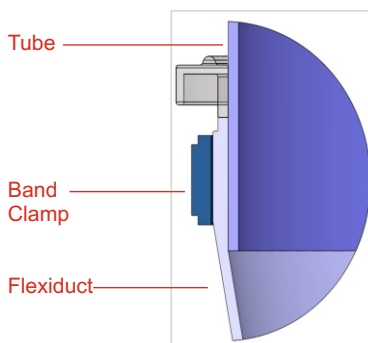


Fig.2 Band clamp fixing for plain ended tubing

Conical Flexiducts

Conical Flexiducts are a range of flexible connectors developed to make the joining of dissimilar sized pipes simple. The ends are moulded to allow them to be used in place of the basket of standard quick couplings. Ideal for absorbing vibration and also allow manipulation to dislodge any bridges that form at the restriction.

Materials

Virgin translucent silicone rubber compliant to CFR(FDA) standard 177.2600 and USP class VI. Moulded in a class 100,000 clean room. (Certificate supplied with each duct)

Method of use

Ducts are clamped to adjacent flanges using standard clamps and a specially designed clamping ring (See Fig. 1). The clamping ring is removable.

Crevice Free Transition

When used with standard BS4825-3 ferrules there is a crevice free smooth transition from steel to duct leaving no gaps for powder retention to aid CIP cleaning.

Vibration

Absorbs vibrations and ideal for feeding vibrating equipment.

Weighing

Due to their flexibility the ducts are ideal for feeding applications to weighing systems.

Plain Ended Tubes

The Flexiducts are made so that they can be used with plain ended tubes by using a band clamp to secure it to the tube. The formed end of the Flexiduct can be removed if appropriate.

Compatibility

Flexiducts are designed to work with BS4825-3 fittings. They are also compatible with the following standards:

DIN32676 / ISO 1127 / ISO 2037 / ASME BPE / SMS 3008/3017

Connection Systems

4 - 5 Forge Mills Park, Station Road,
Coleshill, Warwickshire. U.K. B46 1JH

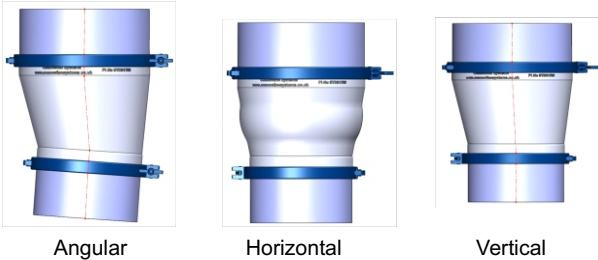
Tel: +44 (0)1675 469 030

www.connectionsystems.co.uk

Connection Systems is a division of Terriva Ltd



Misalignments easily tolerated

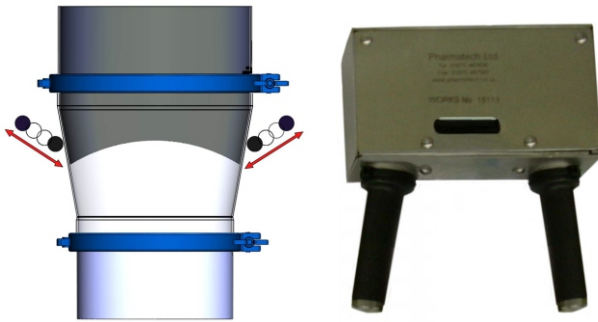


Angular

Horizontal

Vertical

Bridge Breaking



Misalignment

The flexibility of the Flexiduct allows connections between misaligned items.

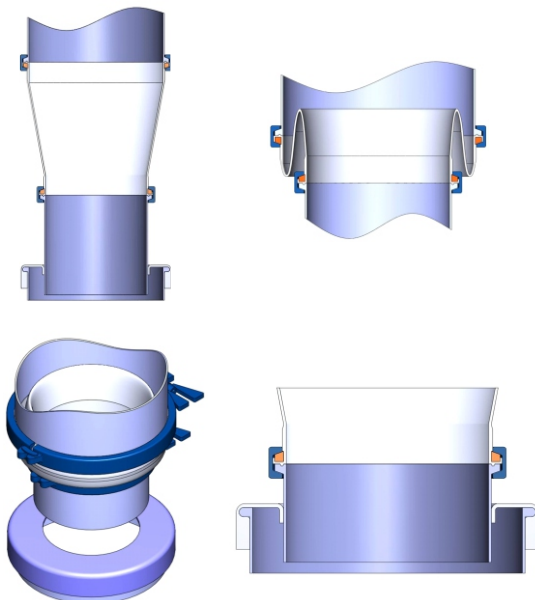
Bridge breaking

Conical Flexiducts allow bridging problems to be designed out. Restrictions in pipe diameter tend to be where bridges will form. The flexibility of the Flexiduct allows the bridge to be broken using external manual or mechanical manipulation.

Pressure Rating

Flexiducts are designed to be used at atmospheric pressure.

Involution



Involution

The Flexiduct can be pushed in on itself to allow simple connections to be made between a fixed height outlet and inlet to another vessel e.g. discharging from a blender or mill into a mobile vessel.

Create a simple effective dust tight system when used in conjunction with one of our dust cap seals (see dust cap seals data sheet).

Joining Ducts of the same size

Please see our Parallel Flexiduct data sheet.

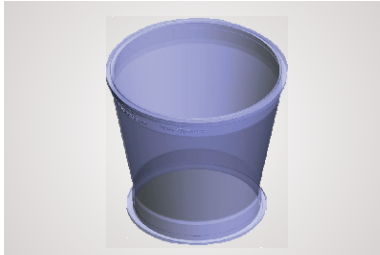
Connection Systems

4 - 5 Forge Mills Park, Station Road,
Coleshill, Warwickshire. U.K. B46 1JH

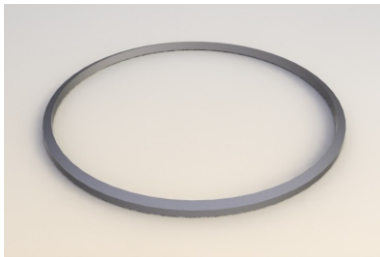
Tel: +44 (0)1675 469 030

www.connectionsystems.co.uk

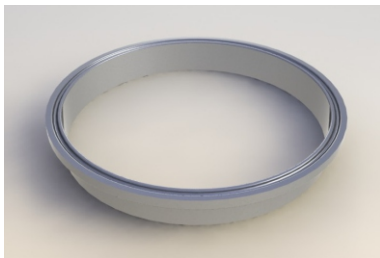
Connection Systems is a division of Terriva Ltd



Conical Flexiduct



Clamping Rings



Ferrules



QR Clamps



Band Clamps

Components

Flexiducts

Please see size chart.

Ducts are clamped to adjacent flanges using standard clamps and a specifically designed clamping ring.

For non-flanged pipes the Flexiduct can be attached using a standard band clamp.

Ferrules

The ducts are designed to work with ferrules to standard BS4825 - Part 3. A ferrule will be required for the equipment to each side of the duct. Please consult us for use with other ferrule types.

Clamping Rings

Made from grade 316 stainless steel the clamping ring is used behind the duct edge to provide the clamping surface.

QR Clamps

Standard Clamps - Single pin in grade 304 stainless steel. Confirm to BS4825 - Part 3

Band Clamps

Made from grade 304 stainless steel and incorporating an over-centre latch that can be locked in the closed position.

		Diameter 1						
		300	250	200	150	100	75	
Diameter 2	250	Part No.	31790					
		Length	200					
	200	Part No.	31789	31793				
		Length	350	210				
	150	Part No.	31788	32701	34084			
		Length	350	350	200			
	100	Part No.			31794	31795		
		Length			300	205		
	75	Part No.					34437	
		Length					130	
	Clamp part No.		F004586	F004585	F004584	F004583	F003427	F003426
	Ferrule part No.		F000044	F000043	F0000412	F000039	F000031	F000027
Ferrule Height		35mm	35mm	28mm	21mm	21mm	21mm	
Clamp Ring Part No.		32502	32501	32500	32499	32503	34149	
Band Clamp Part No.		F003311	F003310	F003309	F003308	F003307	F005964	

Italic Print: sizes available now - other sizes coming soon. Please call for further information

Connection Systems

4 - 5 Forge Mills Park, Station Road,
Coleshill, Warwickshire. U.K. B46 1JH

Tel: +44 (0)1675 469 030

www.connectionsystems.co.uk

Connection Systems is a division of Terriva Ltd